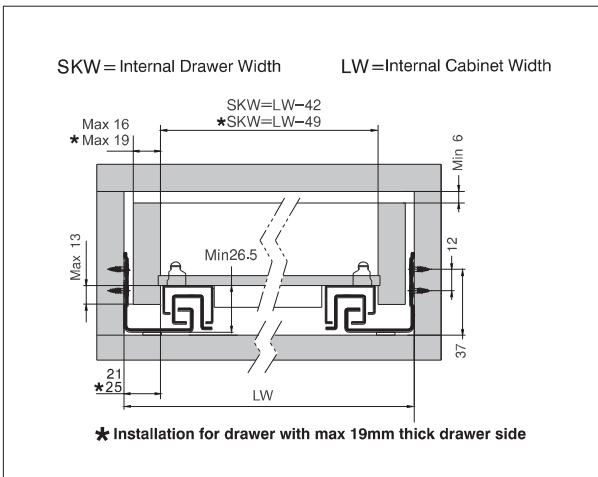
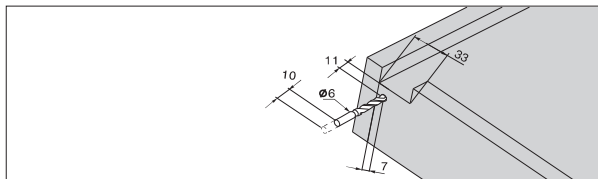


# Full extension undermount slides installation

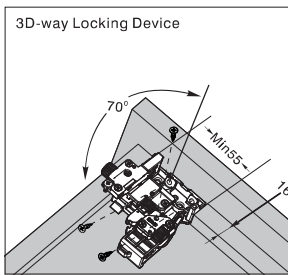
## 16mm/19mm Drawer installation dimensions(with locking device)



## Soft-closing drawer back preparation

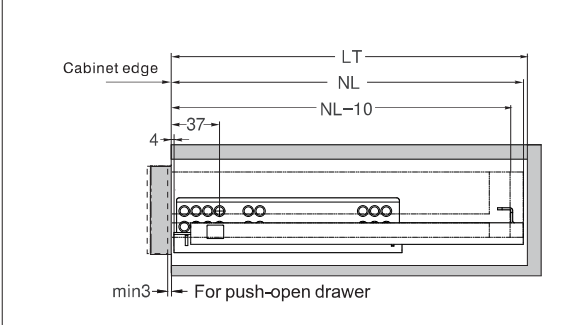


## Locking device installation



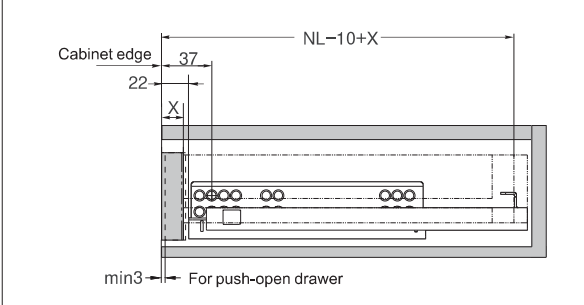
## Standard Drawer installation dimensions

NL = Nominal Slide Length    LT = Internal cabinet Depth     $LT_{min} = NL + 3$

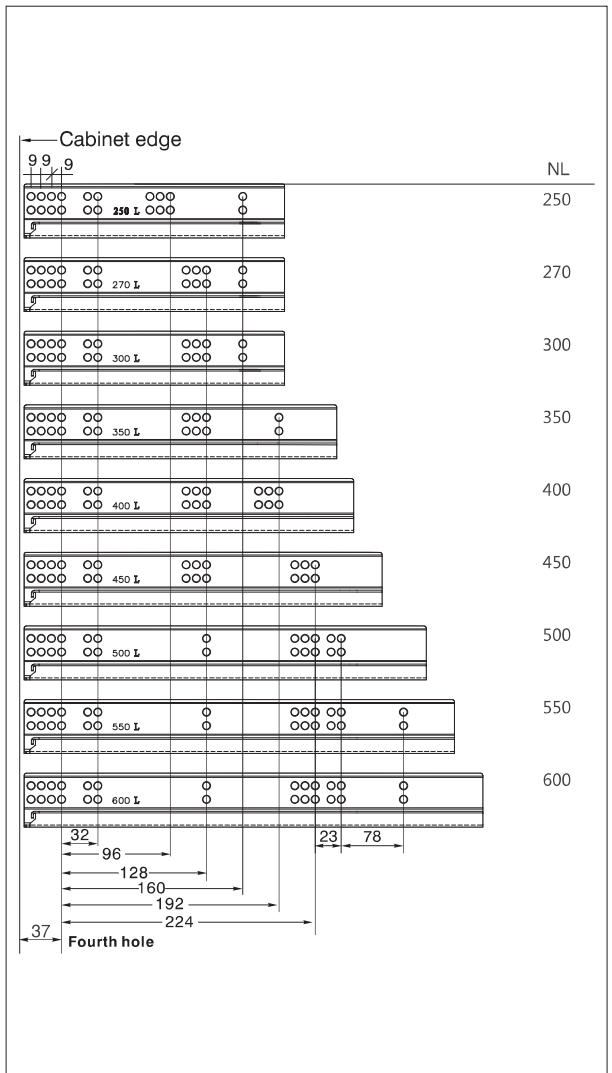


## Inner drawer installation dimensions

NL = Nominal Slide Length    LT = Internal cabinet Depth     $LT_{min} = NL + 21$



## Screw Positions of the Slides

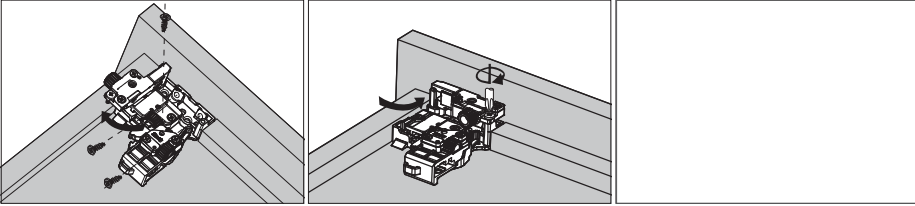


**Finista** | Finish with Style

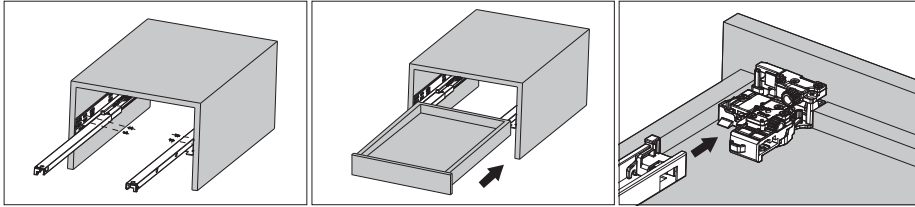
302712349-01450

## Drawer assembly

3D



Move out the adjusting part and fix the locking device onto the drawer bottom.  
Put the adjusting part back and tighten the screws.

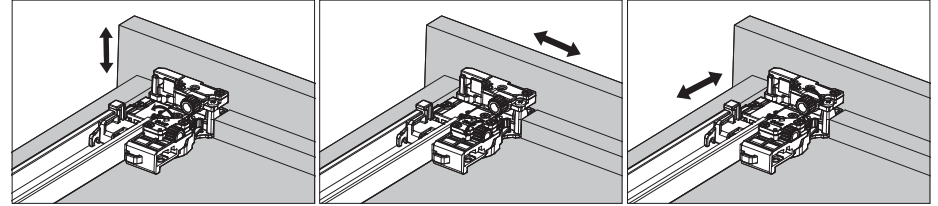


Fix the slide onto the cabinet.

Lay the drawer bottom onto the slide then push the drawer into the cabinet.

## Adjustments

3D

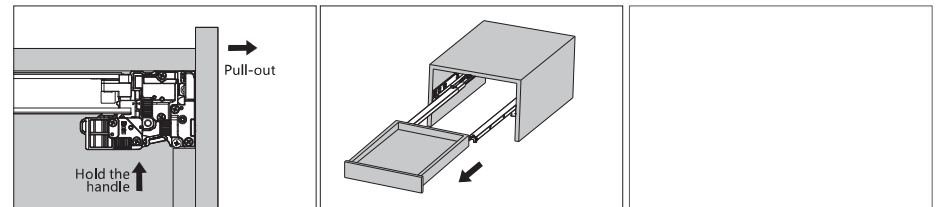


height adjustment

Side adjustment

Depth adjustment

## Removal



For removal, hold the handle and pull out the drawer.